

2004 Parts & Accessories Catalog



Seats Section

Arm Rests, Driver Seats, Passenger Seats,
Seat Belts, Miscellaneous Components



■ Arm Rests



47002449



47002676

| Make | Model | Year | Description | Part # | Comments |
|------|--------------|--------------|------------------------------------|----------|---------------------------------|
| All | All Walk-ins | 1970-current | Arm Rest, Left & Right, 3-Point | | Must have shoulder seat belt |
| | | | Salt & Pepper | 47002449 | |
| | | | Dark Blue Vinyl | 47002676 | |

NOTES

| Make | Model | Year | Description | Part # | Related Part # |
|---|----------------------|---|---|----------|----------------|
| All | All Walk-ins | 1970-current | Hi-Back Bucket Seat, Black, no arms | 1115475 | |
| | | | Salt & Pepper, no arms | 1116109 | |
| | | | Salt & Pepper, right arm | 47002032 | |
| | | | Salt & Pepper, left arm | 47002075 | |
| | | | Salt & Pepper, right arm & 4-way Lumbar | 47002568 | |
| | | | Red, no arms | 47004308 | |
| | | | Low-Back Bucket Seat, Black | 1115478 | |
| | | | Captain Seat, Salt & Pepper, both arms | 47002018 | |
| | | | Black, left arm | 47002028 | |
| | | | Black, right arm | 47002029 | |
| | | Dark Blue Vinyl, cloth left arm | 47002678 | | |
| | | Dark Blue Vinyl, cloth right arm | 47002679 | | |
| | | Hi-Back Reclining Seat, Black, w/arms, 6" Lumbar | 47004301 | | |
| | | 1989-current | Captain Seat, Gray Vinyl, both arms | 47002649 | |
| | | Hi-Back Bucket Seat Maroon Vinyl | 47002651 | | |
| 1995-1997 | Hi-Back Bucket Seat | 47002621 | | | |
| Seat Back Cover only | 47002654 | | | | |
| Seat Cushion only | 47002655 | | | | |
| Chevrolet, Workhorse & Freightliner | Route Star | 1997-2001 | Hi-Back Bucket Seat, black cloth, w/lumbar | 47002665 | |
| Chevrolet, GMC & Workhorse | Route Star | 1998-current | Hi-Back Bucket Seat, Salt & Pepper, w/mech. suspension | 47002672 | |
| Chevrolet/ Workhorse | Route Star | 2000 | Hi-Back Bucket Seat, Salt & Pepper, w. mech. suspension | 47004306 | |
| Ford | Route Mate | 2000 | Hi-Back Seat w/Lumbar | 47004303 | |
| Freightliner & Workhorse | Route Star (USPS) | 2001-current | Hi-Back Bucket Seat, Salt & Pepper | 47002005 | |

| Make | Model | Year | Size | Description | Part # |
|----------------------------|-----------------------|--------------|------------------------------|---|----------|
| All | All Walk-ins | 1970-current | | 2-Passenger Seat, Salt & Pepper | 47002624 |
| | | | | Black, heavy duty | 47003138 |
| | | | 8" Center | Steel Jump Seat, Salt & Pepper | 47002080 |
| | | | 10" Center | Aluminum Jump Seat, Salt & Pepper | 47002082 |
| | | | | Black | 47002086 |
| | Brown Cloth | 47002087 | | | |
| | | 8" Center | Aluminum Jump Seat, Black | 47002088 | |
| | | | Salt & Pepper | 47002089 | |
| All except Freightliner | Route Mate & P1000 | 1993-2001 | | Steel Jump Seat, Brown Cloth | 47002011 |
| Chevrolet | Route Star | 1992-1993 | 8" x 14" | Jump Seat Back, Salt & Pepper (Part of Seat 47002081) | 47002023 |
| | | | 20.13" Center | Aluminum Jump Seat, w/o back, Salt & Pepper | 47002081 |
| | | 1994 | 12" x 16.25" | Jump Seat, Salt & Pepper | 47002062 |
| | | 1994-1995 | | Contour Jump Seat, Salt & Pepper | 47002073 |
| Chevrolet/ Workhorse | Route Star | 1995-2001 | 16" Center | Jump Seat, Black, heavy duty upholstery | 47002622 |
| | | 2001-current | | 3-Point Jump Seat | 47002006 |

Passenger Seats

| Make | Model | Year | Size | Description | Part # |
|-----------------|-------------------|--------------|------------|---|----------|
| Ford & Navistar | P1000 | 1994-1997 | | Steel Jump Seat, Brown Cloth | 47002095 |
| Freightliner | Route Star | 1995-2001 | 16" Center | Jump Seat, Black, heavy duty upholstery | 47002622 |
| | | 2000-2003 | 10" Center | Aluminum Jump Seat, Black Cloth | |
| | Route Star (USPS) | 2001-current | | 3-Point Jump Seat | 47002006 |



Jump Seat



Jump Seat Without Back

| Make | Model | Year | Description | Part # | Related Part # |
|--------------|---|--------------|---|----------|----------------|
| All | All Walk-ins | 1970-current | Seat belt for jump seat | 1115076 | |
| | | | Seat Belt, Black | 1116075 | |
| | | | Seat Belt, Anti-cinch, w/o hardware | 47002524 | |
| | | 1989-current | Seat Belt, Anti-cinch, Two-man | 47002526 | for bench seat |
| | | | Seat Belt w/boot, 124" | 47002575 | |
| 1992-current | Seat Belt w/boot, Bulkhead Mount, 3-Point | 47002631 | | | |
| All | P600, P1000, P1200 (UPS) | 1993-1997 | Seat Belt, Anti-cinch | 47002525 | |
| All | All Walk-ins except Kurbmaster | 1989-current | Seat Belt, w/boot, orange | | |
| | | | Right Side | 47002574 | |
| | | | Left Side | 47002577 | |
| All | All except Route Star | 1993-1997 | Seat Belt, w/boot, bulkhead mounting | 47002576 | |
| Chevrolet | All except Route Mate | 1989-1995 | Seat Belt w/tether | 47002501 | |
| Chevrolet | Route Star | 1993-1995 | Seat Belt, 3-Point, w/o shoulder | 47002544 | for jump seat |
| | | 1994-1996 | Seat Belt, w/boot, 3-Point, electric, black | 47002581 | |

Seat Belts



1115076



1116075



47002501



47002524



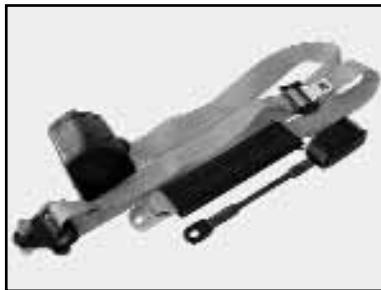
47002525



47002526



47002544



47002574
47002577



47002575



47002576



47002581



47002631

Continued on next page.

Seat Belts, Continued

| Make | Model | Year | Description | Part # | Related Part # |
|-------------------------|-----------------------|--------------|--|----------|----------------|
| Ford | All except Route Mate | 1989-1995 | Seat Belt w/tether | 47002501 | |
| Freightliner | Route Star | 2001-current | Seat Belt, 7", Adjustable "D", orange | 47002513 | |
| Freightliner & Navistar | P70 | 1996 | Seat Belt, w/boot, 136" | 47002626 | |
| | P70, P1000 & P1200 | 1996-1997 | Seat Belt, w/boot | 47002638 | |
| | P70, P1000 & P1200 | 2000-2001 | Seat Belt, w/boot, 7" D Loop | 47002668 | |
| Navistar | P1000, P1200 | 2000-current | Seat Belt w/boot, Bulkhead Mount, 3-Point, Green | 47003140 | |
| | | | Seat Belt, w/boot, 3-Point, for Driver Seat, Green | 47003141 | |
| Workhorse | Route Star | 2001-current | Seat Belt, 7", Adjustable "D", orange | 47002513 | |
| | | 2002-current | Seat Belt, w/boot, 3-Point, Bulkhead Mount, Right Side | 47002597 | |

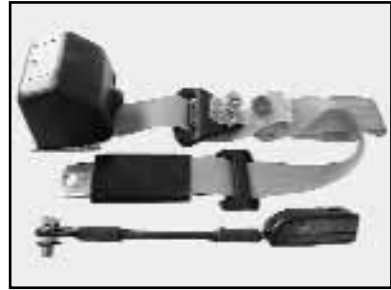
Seat Belts, Continued



47002501



47002513



47002597



47002626



47002638



47002668



47003140

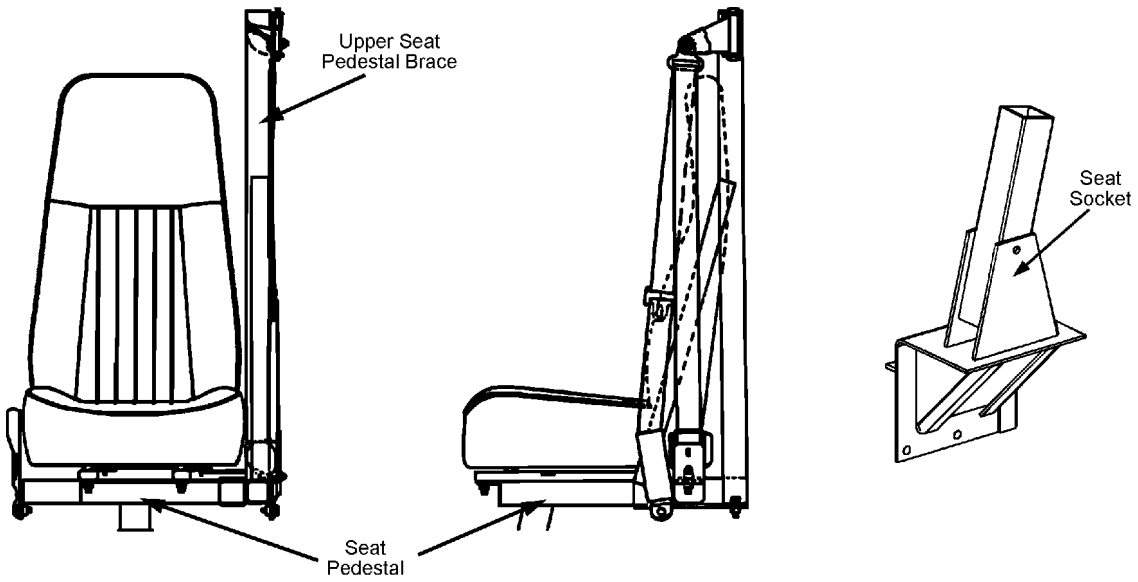


47003141

Miscellaneous Components

| Make | Model | Year | Description | Part # | Related Part # |
|-------------------------|--------------------------------|--------------|--|----------|----------------|
| All | All Walk-ins | 1970-current | Eye Bolt | 1115288 | |
| | | | Aluminum Seat Retainer, x 10.25" | 7908249 | |
| | | | Seat Slides w/4" travel | 47002592 | |
| | | 1989-current | Upper Seat Pedestal Brace, Right Side | 47002476 | |
| | | | Seat Socket & Non-tilt Holder, 3-Point | 47002494 | |
| | | | Steel Clevis Pin, .625" x 4.5" | 47002612 | |
| All | All except Kurbmaster | 1993-current | Seat Socket, 3-Point, Tilt | 47002663 | |
| All except Freightliner | All Walk-ins | 1989-current | Seat Pedestal | 47002498 | |
| All except Freightliner | All Walk-ins except Kurbmaster | 1989-current | Upper Seat Pedestal Brace | 47002557 | |
| All except Navistar | All Walk-ins except Kurbmaster | 1996-2000 | Seat Holder, 3-point | 47002653 | |
| All | Top Star | 1992-current | Seat Pedestal, 3 point, Right Side | 47002432 | |
| Chevrolet | Kurbmaster | 1970-1995 | Seat Holder | 1115298 | |
| | | | Short Seat Socket & Holder with pin | 1116031 | |

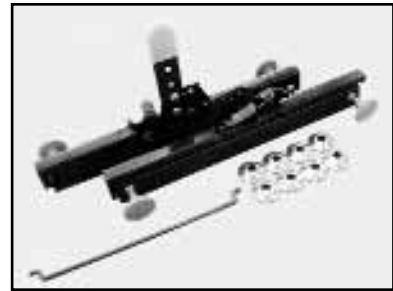
Miscellaneous Components



1115288



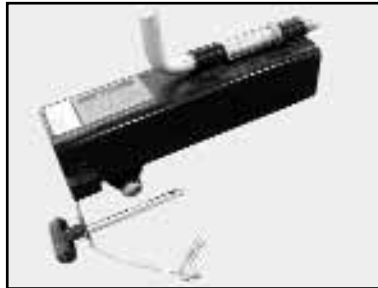
1115298



47002592



47002612



47002653



47002663



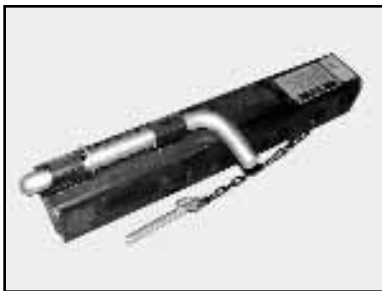
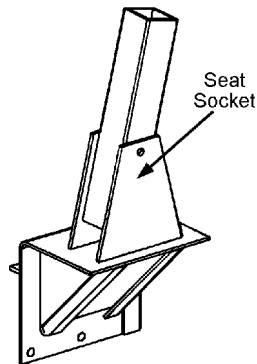
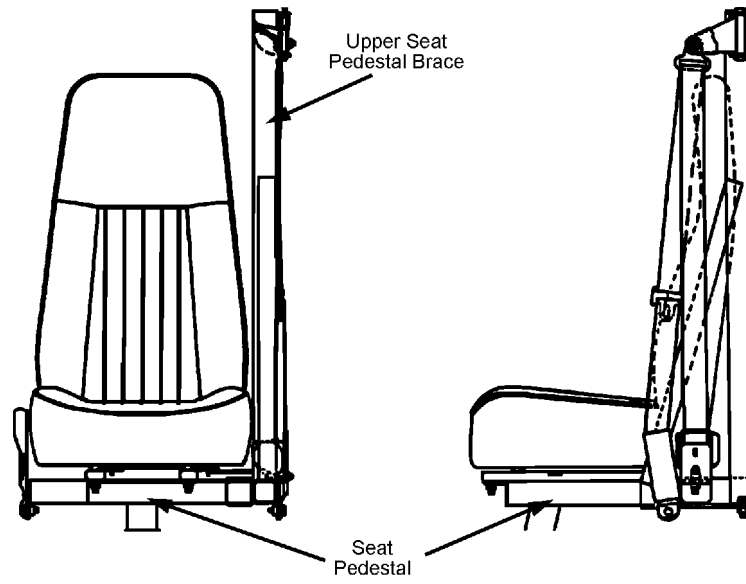
7908249

Continued on next page.

Miscellaneous Components, Continued

| Make | Model | Year | Description | Part # | Related Part # |
|-------------------------|-------------------------|--------------|--|----------------------|----------------|
| Chevrolet | Route Star | 2000 | Seat Pedestal, Right Side | 47002696 | |
| Chevrolet | Kurbmaster & Route Star | 1970-1998 | Seat Pedestal Assembly, 2" | 88007200 | |
| Ford | Kurbmaster | 1970-1992 | Seat Holder, x 16.25" | 1115569 | |
| | | | Large Seat Socket & Holder with pin | 1116030 | |
| Freightliner | Route Star | 2000 | Upper Seat Pedestal, 3-Point, Right Side | 47002648 | |
| | | 2001-current | Upper Seat Pedestal Brace w/adjuster D Loop 4" Adjuster | 47002009 47002669 | |
| | | | Seat Pedestal, 3-Point | 47003135 | |
| Freightliner & Navistar | P70 | 1996 | Seat Pedestal | 47002623 | |
| | | | Seat Socket & Non-Tilt Holder, 3-Point | 47002627 | |
| Navistar | Route Star, Top Star | 1993-current | Seat Pedestal, Right Side | 47002477 | |
| Workhorse | Route Star | 1999-2000 | Seat Pedestal | 47002499 | |
| | | 2000 | Seat Pedestal, Right Side | 47002696 | |
| | Route Star (USPS) | 2001-current | Upper Seat Pedestal Brace w/adjuster D Loop 4" Adjuster | 47002009 47002669 | |
| | | | Seat Pedestal, 3-Point | 47002643 | |
| Workhorse | Route Star, Top Star | 1993-current | Seat Pedestal, Right Side | 47002477 | |

Miscellaneous Components, Continued



1115569



47002669

2004 Parts & Accessories Catalog

1-800-233-4823 • www.morganolsonparts.com • parts@morganolson.com



1801 South Nottawa Road
Sturgis, MI 49091
1-800-233-4823 (Parts)
800.624.9005 • 269.659.0200
269.651.4259 fax
Email: parts@morganolson.com
www.morganolsonparts.com
www.morganolson.com

At Morgan Olson, our quest for quality and safety is ongoing and therefore the specifications on the product described herein may vary over time.
Please contact Morgan Olson for the latest product information and available safety features and options.

© 2004 Morgan Olson Corporation.