

# 2004 Parts & Accessories Catalog



## Hood Hardware Section

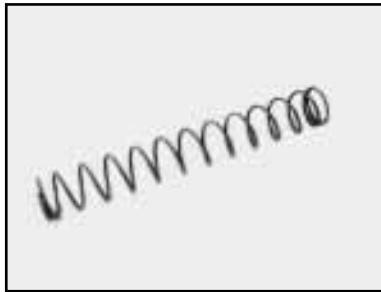
Cables, Latches, Hinges, Shocks



## Cables



1103775



47006019



47006250



47006264

Make	Model	Year	Size	Description	Part #
All	Kurbmaster	1970-1995	6 ft. long	Hood Cable, Inside	1103775
Chevrolet & Ford	Kurbmaster	1970-1995	26"	Hood Cable	47006250
Chevrolet & Ford	Route Star	1989-1995	2"	Hood Cable Return Spring	47006019
			41"	Hood Cable, Inside Release	47006264

NOTE: For hood body panels, see catalog section entitled, Body Components.

Make	Model	Year	Size	Description	Part #
All	Kurbmaster	1970-1990	1.4375" x 1.1875"	Hood Striker	1112008
			5.375" x 4.375" Mechanism	Latch Kit	1112981
			2" x 4.75" End Bolt	Latch End Bolt	1113472
Chevrolet	Kurbmaster	1970-1990		Latch Kit, Locking, Outside Release	1112979
Chevrolet	P600	1990-1997	8.5" Overall Length	Hood/Side Latch	91900562
Chevrolet	Route Star	1995-current		Hood Latch	47000613
Chevrolet & Ford	Route Star	1989-1995	.375" dia. x 1.88"	Hood Striker Pin	40900014
			5" long	Strike Assembly for Hood Latch	89316200
			5" x 3.25"	Strike Latch, Heavy Duty	89316301
		1990-1995		Rotary Latch, Fiberglass Hood	47000656
			5.5" long	Retrofit Hood Latch, Fiberglass Hood	91900562
Freightliner & Navistar	P600, P1000	1990-1997	8.5" Overall Length	Hood/Side Latch	1113281
Freightliner & Navistar	P700, P1000, P1200	1995-current		Hood Latch	47000613

NOTE: For hood body panels, see catalog section entitled, Body Components.

## Latches



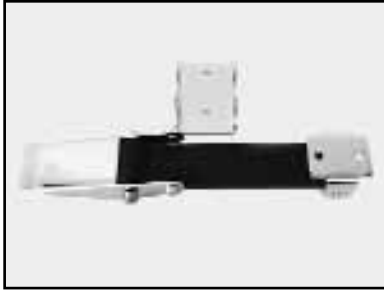
1112008



1112979



1112981



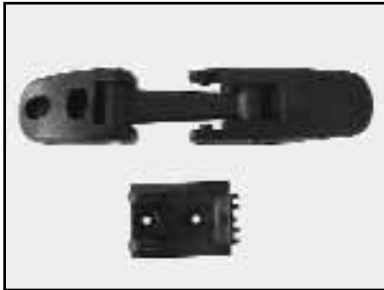
1113281



1113472



40900014



47000613



47000656



89316200



89316301

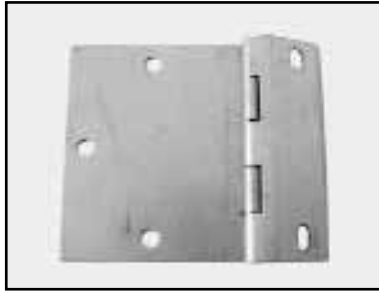


91900562

NOTE: For hood body panels, see catalog section entitled, Body Components.



47007852



47007857

Make	Model	Year	Size	Description	Part #
All	Route Star	1996-current	5.25" Length from center of pin to end of hinge strap	Complete Hinge Assembly, Aluminum	47007852
Chevrolet & Ford	Route Star	1989-1995	6" x 5"	Steel Hinge	47007857

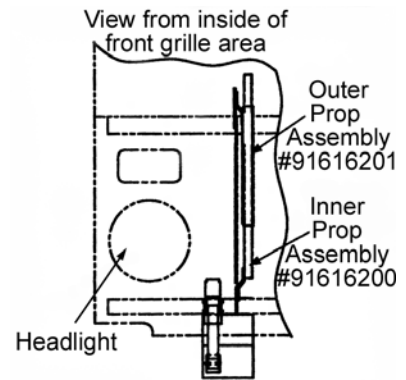
## Miscellaneous



1101511



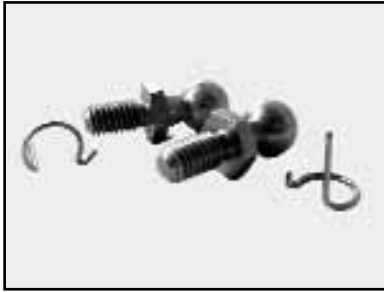
47006015



Make	Model	Year	Description	Part #
All	Kurbmaster & Route Star	1970-1995	Safety Catch Assembly	1101511
Chevrolet	Route Mate	1989-current	Prop Assembly Inner Outer	91616200 91616201
Chevrolet	Route Star	1989-current	Hood Pop Up Spring	47006015

NOTE: For hood body panels, see catalog section entitled, Body Components.

**Shocks**



40900019 & 40900020



47006018



47006051

Make	Model	Year	Size	Description	Part #
All	Route Star	All	.3125" dia.	Ball Stud	40900019
				Ball Stud Clip	40900020
			21.25" long	Gas Shock Spring	47006018
			21.25" long	Gas Shock, Lock Latch	47006051

NOTE: For hood body panels, see catalog section entitled, Body Components.

**NOTES**

---

---

---

---

---

---

---

---

---

---

---

---

---

---

---

---

---

---

---

---

---

---

---

---



# 2004 Parts & Accessories Catalog

---

1-800-233-4823 • [www.morganolsonparts.com](http://www.morganolsonparts.com) • [parts@morganolson.com](mailto:parts@morganolson.com)



1801 South Nottawa Road  
Sturgis, MI 49091  
1-800-233-4823 (Parts)  
800.624.9005 • 269.659.0200  
269.651.4259 fax  
Email: [parts@morganolson.com](mailto:parts@morganolson.com)  
[www.morganolsonparts.com](http://www.morganolsonparts.com)  
[www.morganolson.com](http://www.morganolson.com)

At Morgan Olson, our quest for quality and safety is ongoing and therefore the specifications on the product described herein may vary over time.  
Please contact Morgan Olson for the latest product information and available safety features and options.

© 2004 Morgan Olson Corporation.