

# 2004 Parts & Accessories Catalog



## Bumpers Section

Front, Rear, Dock Bumper



## Front Bumpers

Make	Model	Truck Year	Width	Description	Part Number
All	Route Mate	1989-current	78W*	Steel, Black	47003506
Chevrolet	Kurbmaster	1980-1993	78W*	Impact Resistant Bumper, IFS**	1115605
		1988-1995	86W*	Impact Resistant Bumper, I-Beam Impact Resistant Bumper, IFS**	47003522 1115602
Chevrolet	Route Star	1988-1989	82W & 86W*	Steel, IFS**	47003506
		1989-1997	78W*	Impact Resistant Bumper, IFS**	1115605
Chevrolet/ Workhorse	Kurbmaster & Route Star	1977-current	86W*	Steel, painted black, for IFS** & I-Beam	47003545
		1978-1999	93W*	Steel, painted black, for IFS** & I-Beam	1115204
Chevrolet	Top Star	1992-1994	93W*	Chrome	47003512
Chevrolet P60	Kurbmaster	1987-1992	93W*	Steel, painted black	47003515
Ford	Kurbmaster	1978-1993	78W*	Steel, x 80"	1115205
		1988-1989	86W*	Impact Resistant Bumper, IFS**	1115602
Ford	Route Star	1989-current	93W*	Steel, x 95"	1115246
				Steel, painted black, x 95"	88320300
Ford	Kurbmaster & Route Star	1978-current	82W*	Steel, x 84"	1115290
			86W*	Steel, x 88"	1115241
Freightliner	Route Star	1997-current	93W*	Steel, x88"	1115241
		2001-current	88W*	Aluminum Impact Resistant Bumper (for USPS trucks only)	47003772
Freightliner	Top Star	1999-current	93W*	Polished solid stainless steel	47003564
Navistar	P1000, P1200	1989-current	93W*	Steel, painted black (for FedEx Ground only)	47003771
Workhorse	Route Star	2001-current	88W*	Aluminum Impact Resistant Bumper (for USPS trucks only)	47003752

\*See page 4 for guidelines to measure your truck's width.

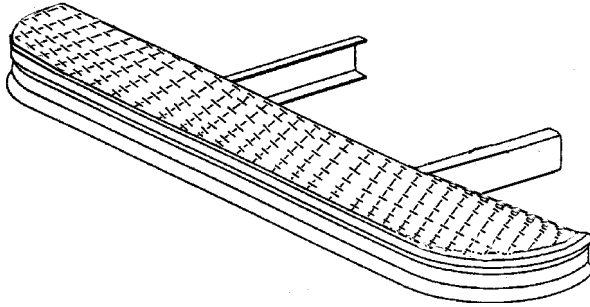
\*\*IFS is an abbreviation for Independent Front Suspension.

## Rear Bumper Components

**1107188**  
 Dock Bumper, Rubber  
 5.5" x 7.75"  
 For All Makes, Models and Years



## Rear Bumpers



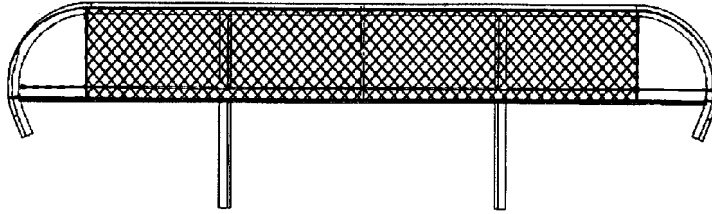
- Without Towers
- With Diamond Step Plate

Make	Model	Truck Year	Width	Part Description	Number
All except Ford	Kurbmaster	All years	78" W*	Aluminum	5100529
			78" W*	Steel	5100064
All except Ford	Kurbmaster & Route Star	All years	82" W*	Aluminum	5100530
			82" W*	Steel	62557123
			86" W*	Aluminum	5100531
			86" W*	Steel	5100065
			93" W*	Aluminum	5100532
			93" W*	Steel	5100143
All except Ford	Route Mate	All years	78" W*	Steel	91657200
Ford	Kurbmaster	All years	78" W*	Aluminum	78357155
			78" W*	Steel	5100356
Ford	Kurbmaster & Route Star	All years	82" W*	Aluminum	78357156
			82" W*	Steel	5100357
			86" W*	Aluminum	78357157
			86" W*	Steel	5100358
			93" W*	Aluminum	78357154
			93" W*	Steel	5100359
Ford	Route Mate	All years	78" W*	Steel	93657200

\*See page 4 for guidelines to measure your truck's width.

## Rear Bumpers

- Without Towers
- With Serated Step Plate

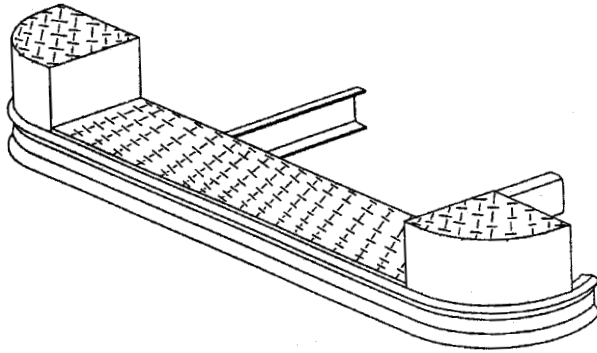


Make	Model	Truck Year	Width	Description	Part Number
All except Ford	Kurbmaster	All years	78" W*	Aluminum	5100663
			78" W*	Steel	5100901
All except Ford	Kurbmaster & Route Star	All years	82" W*	Aluminum	5100664
			82" W*	Steel	5100902
			86" W*	Aluminum	5100665
			86" W*	Steel	5100903
			93" W*	Aluminum	5100666
			93" W*	Steel	5100904
Ford	Kurbmaster	All years	78" W*	Aluminum	5100667
			78" W*	Steel	73812208
Ford	Kurbmaster & Route Star	All years	82" W*	Aluminum	5100668
			82" W*	Steel	73812209
			86" W*	Aluminum	5100669
			86" W*	Steel	73812210
			93" W*	Aluminum	5100670
			93" W*	Steel	73812211

\*See page 4 for guidelines to measure your truck's width.

## Rear Bumpers

- With Solid Towers
- With Diamond Step Plate

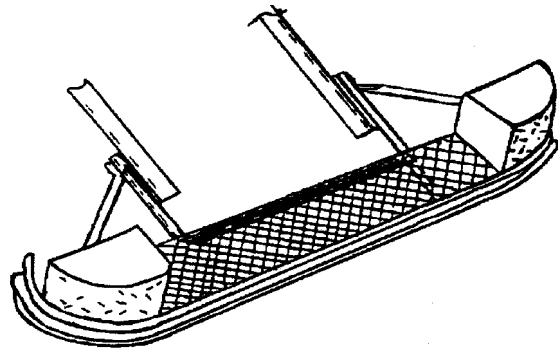


Make	Model	Truck Year	Width	Description	Part Number
All except Ford	Kurbmaster	All years	78" W*	Aluminum	5100517
			78" W*	Steel	5100113
All except Ford	Kurbmaster & Route Star	All years	82" W*	Aluminum	5100518
			82" W*	Steel	62557120
			86" W*	Aluminum	5100519
			86" W*	Steel	5100114
			93" W*	Aluminum	5100520
			93" W*	Steel	62557049
Ford	Kurbmaster	All years	78" W*	Aluminum	5100768
			78" W*	Steel	5100360
Ford	Kurbmaster & Route Star	All years	82" W*	Aluminum	5100769
			82" W*	Steel	5100361
			86" W*	Aluminum	5100770
			86" W*	Steel	5100362
			93" W*	Aluminum	5100771
			93" W*	Steel	5100363

\*See page 4 for guidelines to measure your truck's width.

## Rear Bumpers

- With Solid Towers
- With Serated Step Plate

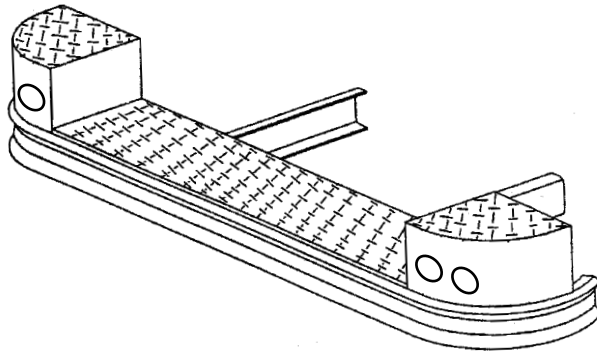


Make	Model	Truck Year	Width	Description	Part Number
All except Ford	Kurbmaster	All years	78" W*	Aluminum	5100634
			78" W*	Steel	5100905
All except Ford	Kurbmaster & Route Star	All years	82" W*	Aluminum	5100635
			82" W*	Steel	5100906
			86" W*	Aluminum	5100636
			86" W*	Steel	5100907
			93" W*	Aluminum	5100637
			93" W*	Steel	5100908
Ford	Kurbmaster	All years	78" W*	Aluminum	79845200
			78" W*	Steel	73812200
Ford	Kurbmaster & Route Star	All years	82" W*	Aluminum	79845201
			82" W*	Steel	73812201
			86" W*	Aluminum	79845202
			86" W*	Steel	73812202
			93" W*	Aluminum	79845203
			93" W*	Steel	73812203

\*See page 4 for guidelines to measure your truck's width.

## Rear Bumpers

- With Towers w/light holes
- With Diamond Step Plate

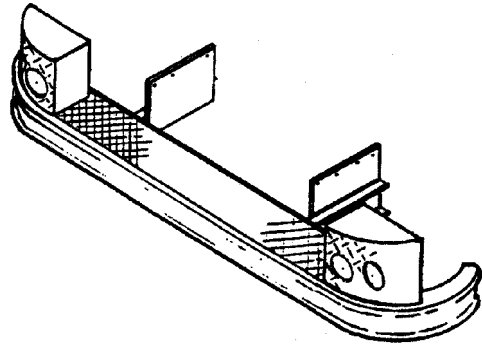


Make	Model	Truck Year	Width	Description	Part Number
All except Ford	Kurbmaster	All years	78" W*	Aluminum	5100521
			78" W*	Steel	5100001
All except Ford	Kurbmaster & Route Star	All years	82" W*	Aluminum	5100522
			82" W*	Steel	62557121
			86" W*	Aluminum	5100523
			86" W*	Steel	5100005
			93" W*	Aluminum	5100524
			93" W*	Steel	5100059
Ford	Kurbmaster	All years	78" W*	Aluminum	78357204
			78" W*	Steel	5100379
Ford	Kurbmaster & Route Star	All years	82" W*	Aluminum	78357205
			82" W*	Steel	5100380
			86" W*	Aluminum	78357206
			86" W*	Steel	5100381
			93" W*	Aluminum	78357207
			93" W*	Steel	5100382

\*See page 4 for guidelines to measure your truck's width.

## Rear Bumpers

- With Towers w/light holes
- With Serated Step Plate



Make	Model	Truck Year	Width	Description	Part Number
All except Ford	Kurbmaster	All years	78" W*	Aluminum	79845037
			78" W*	Steel	5100153
All except Ford	Kurbmaster & Route Star	All years	82" W*	Aluminum	79845038
			82" W*	Steel	5100154
			86" W*	Aluminum	79845039
			86" W*	Steel	5100155
			93" W*	Aluminum	79845040
			93" W*	Steel	5100910
Ford	Kurbmaster	All years	78" W*	Aluminum	79845204
			78" W*	Steel	73812204
Ford	Kurbmaster & Route Star	All years	82" W*	Aluminum	79845205
			82" W*	Steel	73812205
			86" W*	Aluminum	79845206
			86" W*	Steel	73812206
			93" W*	Aluminum	79845207
			93" W*	Steel	73812207
Freightliner & Workhorse	Route Star (USPS only)	2001-current	88" W*	Aluminum	001757002

\*See page 4 for guidelines to measure your truck's width.



# 2004 Parts & Accessories Catalog

---

1-800-233-4823 • [www.morganolsonparts.com](http://www.morganolsonparts.com) • [parts@morganolson.com](mailto:parts@morganolson.com)



1801 South Nottawa Road  
Sturgis, MI 49091  
1-800-233-4823 (Parts)  
800.624.9005 • 269.659.0200  
269.651.4259 fax  
Email: [parts@morganolson.com](mailto:parts@morganolson.com)  
[www.morganolsonparts.com](http://www.morganolsonparts.com)  
[www.morganolson.com](http://www.morganolson.com)

At Morgan Olson, our quest for quality and safety is ongoing and therefore the specifications on the product described herein may vary over time.  
Please contact Morgan Olson for the latest product information and available safety features and options.

© 2004 Morgan Olson Corporation.